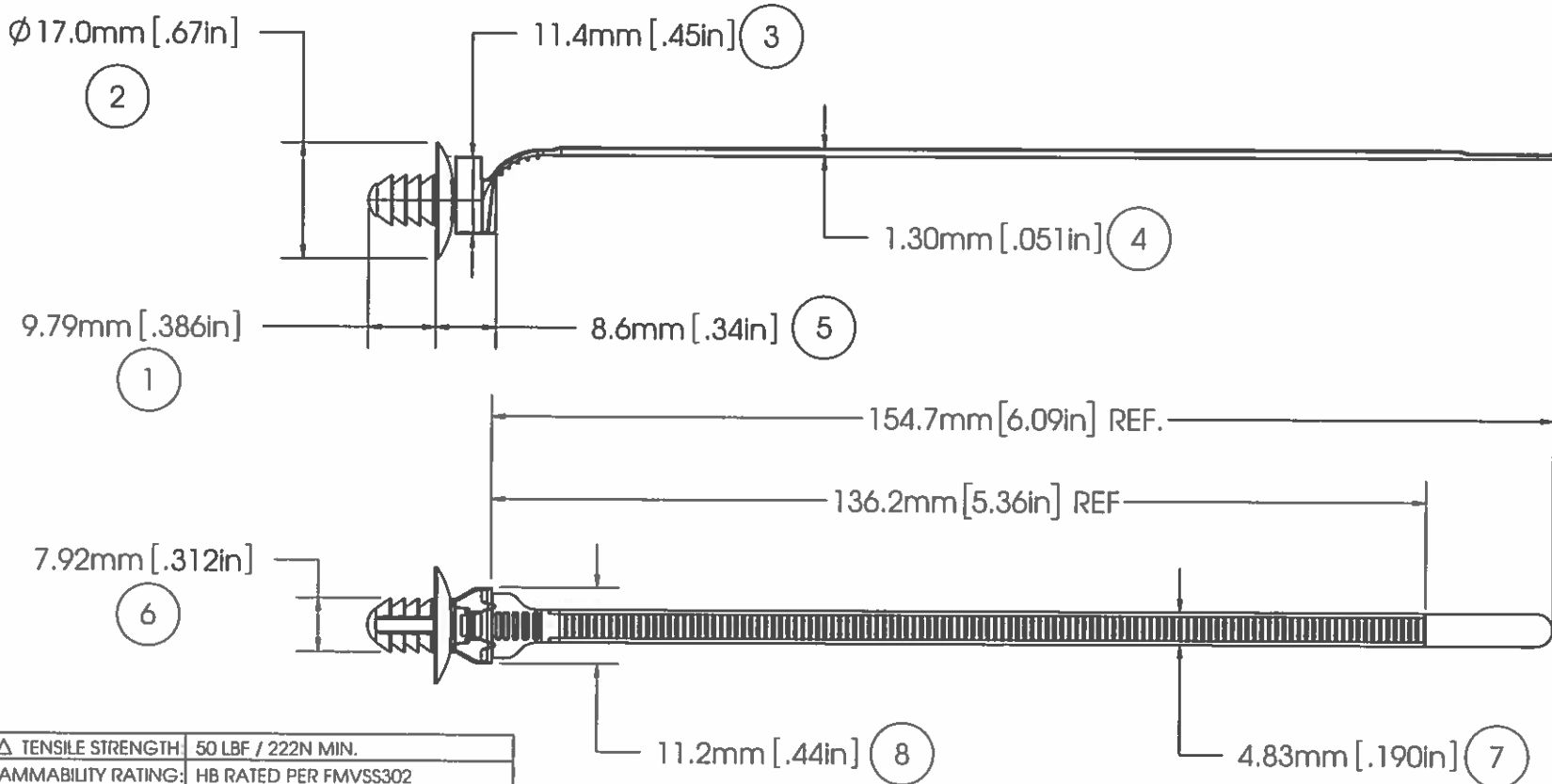


# AVERY DENNISON MARKETING SPECIFICATION

HISTORY		
REV.	DATE	DESCRIPTION
A	01.17.18	RELEASED

THE SUBJECT MATTER DISCLOSED HEREIN EMBODIES PROPRIETARY INFORMATION WHICH IS THE CONFIDENTIAL PROPERTY OF THE AVERY DENNISON CO. NONE OF WHICH SHALL BE COPIED, REPRODUCED, DISCLOSED TO OTHERS, PUBLISHED OR USED IN WHOLE OR IN PART, FOR ANY PURPOSE OTHER THAN THAT FOR WHICH IT IS BEING MADE AVAILABLE, WITHOUT THE EXPRESS ADVANCE WRITTEN PERMISSION OF A DULY AUTHORIZED AGENT OF THE COMPANY. THIS DOCUMENT IS THE PROPERTY OF THE AVERY DENNISON CO. AND IS TO BE RETURNED TO THE COMPANY ON DEMAND.



9	△ TENSILE STRENGTH:	50 LBF / 222N MIN.
10	△ FLAMMABILITY RATING:	HB RATED PER FMVSS302
	INSERTION FORCE:	10 LBF / 44.5N MAX.
	EXTRACTION FORCE:	40 LBF / 177.8N MIN.
	MOUNTING:	HOLE SIZE: Ø 6.60 ± 0.25mm HOLE AND A 6.35 HEX HOLE IN; PANEL THICKNESS: 3.0mm MAX.
	OPERATING TEMP RANGE:	-40°F (-40°C) TO 239°F (115°C) CONTINUOUS AND 257°F (125°C) AT MAXIMUM EXPOSURE
	WEIGHT:	1.6g
	BUNDLE DIAMETER:	Ø 1.6mm / .06in TO Ø 38.1mm / 1.50in
	TOOL:	12001 - HAND INSTALLATION TOOL 12500 - PNUEM. INSTALLATION TOOL
	TOOL TENSION SETTING:	6 - 8
	PACKAGING:	1000/BAG, 5 BAGS/MASTER

NOTES:  
1. SPECIAL CHARACTERISTICS ARE NOTED BY A TRIANGLE ( Δ )

APPROVALS: ENG. APPR. *[Signature]* 1/17/18  
Q.A. APPR. *[Signature]* 1/17/18

**AVERY DENNISON**  
FASTENER DIVISION  
FITCHBURG, MA 01420 U.S.A.  
TEL. 1-800-225-5913  
FAX. 978-353-8157

SPECIFIED TOLERANCES ARE:		MATERIAL
.XX ± .03 IN.	.X ± .7mm	NYLON 6/6, HEAT STABILIZED
.XXX ± .010 IN.	.XX ± .25mm	COLOR
ANGULAR: ± 2°		<b>BLACK</b>

DESCRIPTION	
<b>4 FLUTE LIFT TIE</b>	
STOCK NO.	<b>20173-0</b>
REV.	<b>A</b>